

TH

5,5.19



CONSTRUCTION



LOGISTICS



EVENTS AND
FILM



TH

5,5.19



CAB

Best-in-class
safety and visibility



PERFORMANCE

Unrivalled lifting
performance



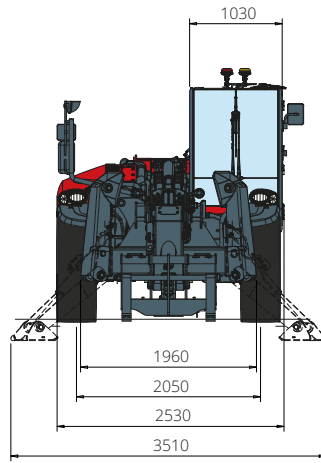
LOAD LIVE DIAGRAM

Two real-time dynamic
load charts

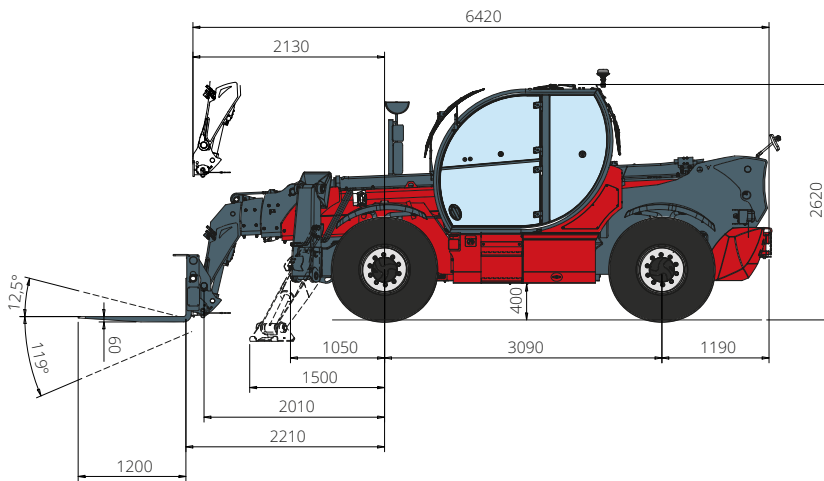
TH

5,5.19

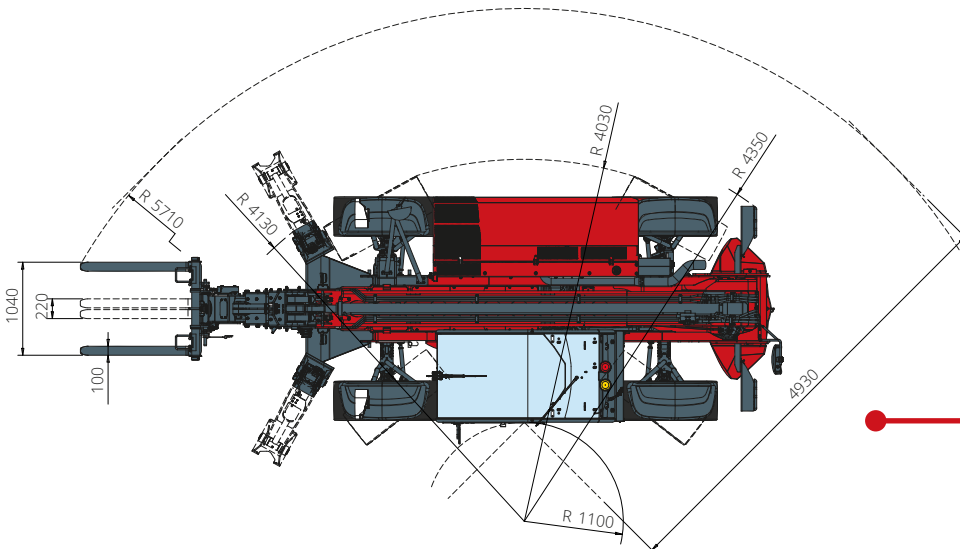
DIMENSIONS (mm)



FRONT
view



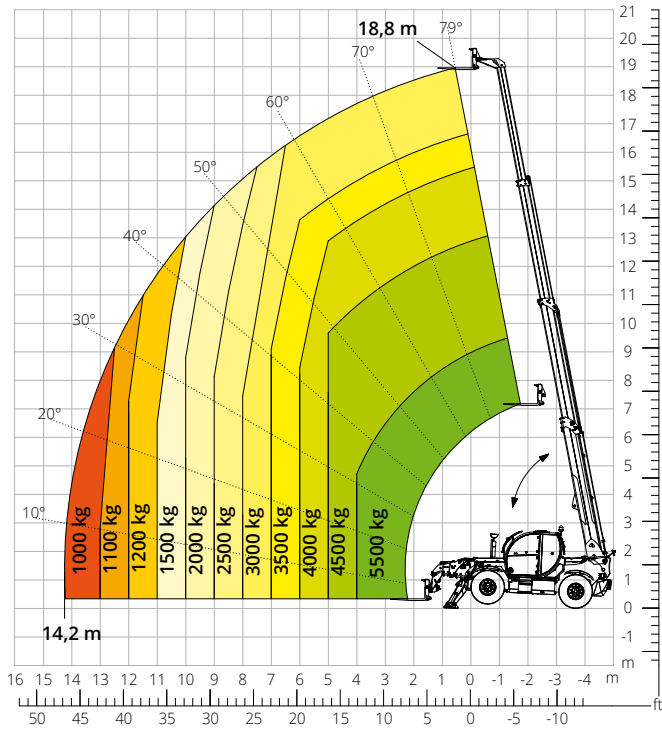
SIDE
view



TOP
view

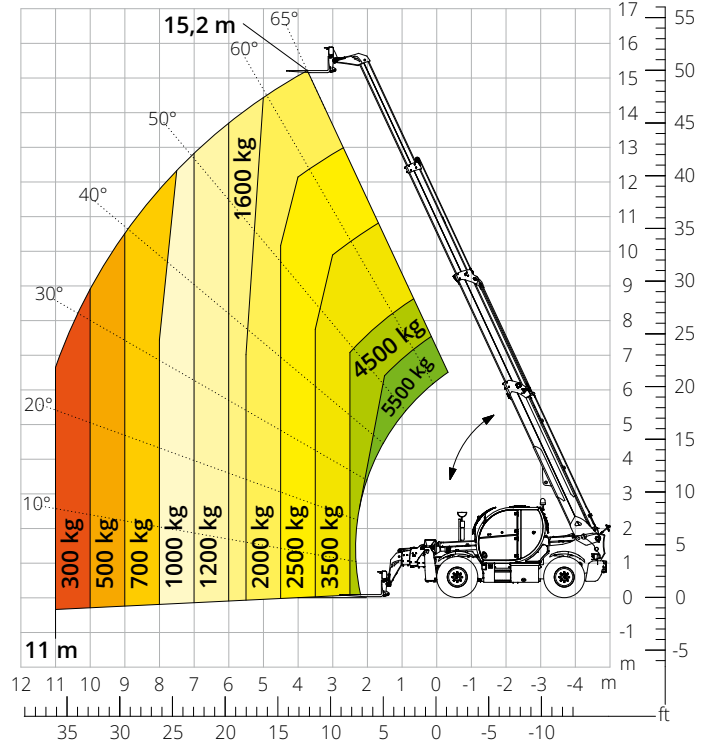
Load chart with
FULLY EXTENDED STABILISERS

ATT-03-040



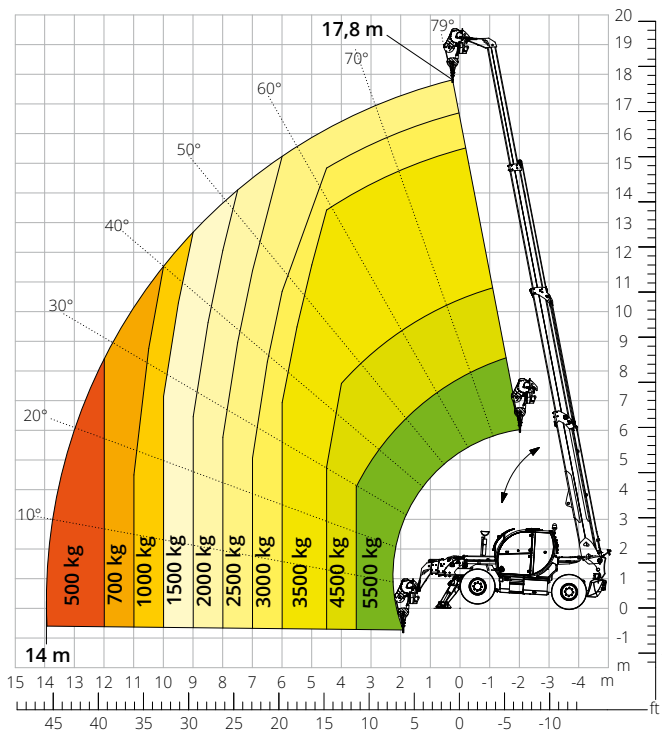
Load chart
FRONT ATTACHMENT ON TYRES

ATT-03-040



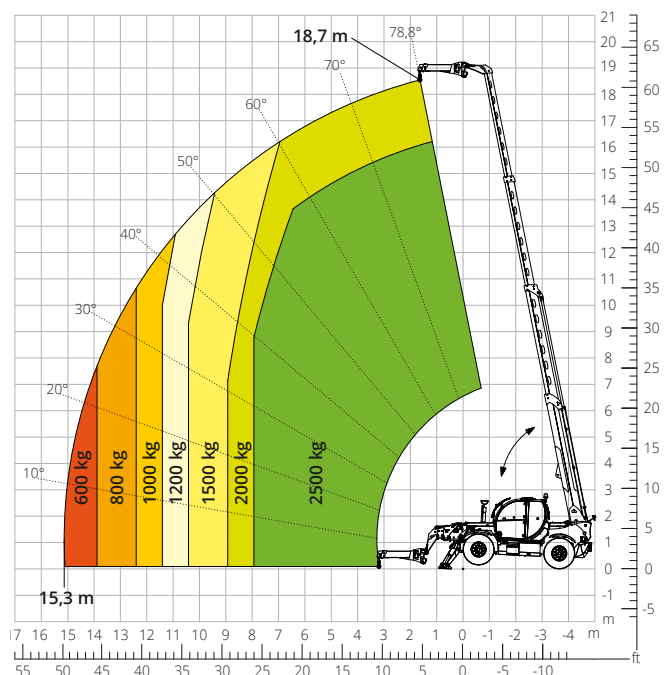
Load chart with
WINCH, 6,000 kg

ATT-02-004

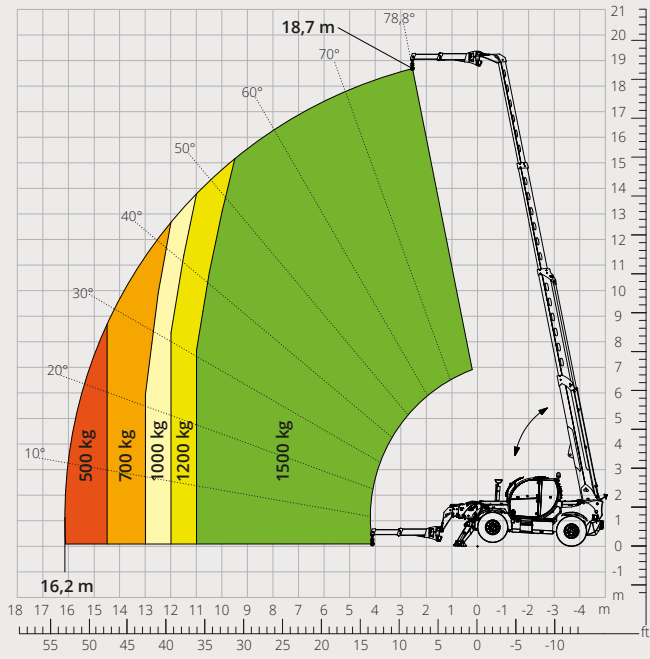


Load chart with
JIB WITH WINCH, 2,500 - 1,500 kg - CLOSED

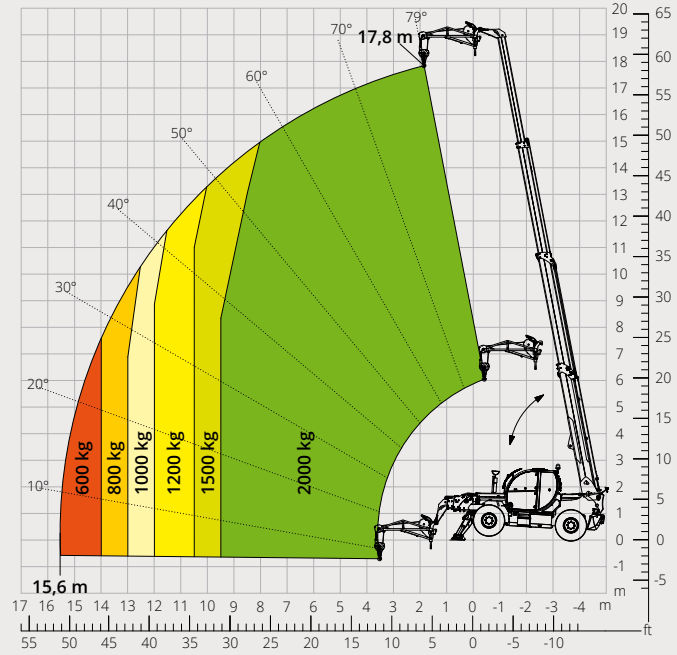
ATT-04-021



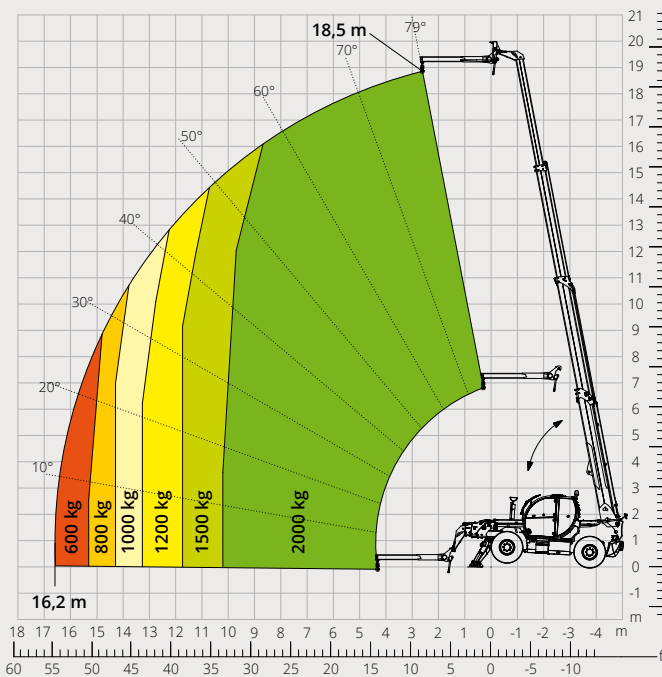
Load chart with
JIB WITH WINCH, 2,500 - 1,500 kg - OPEN
 ATT-04-021



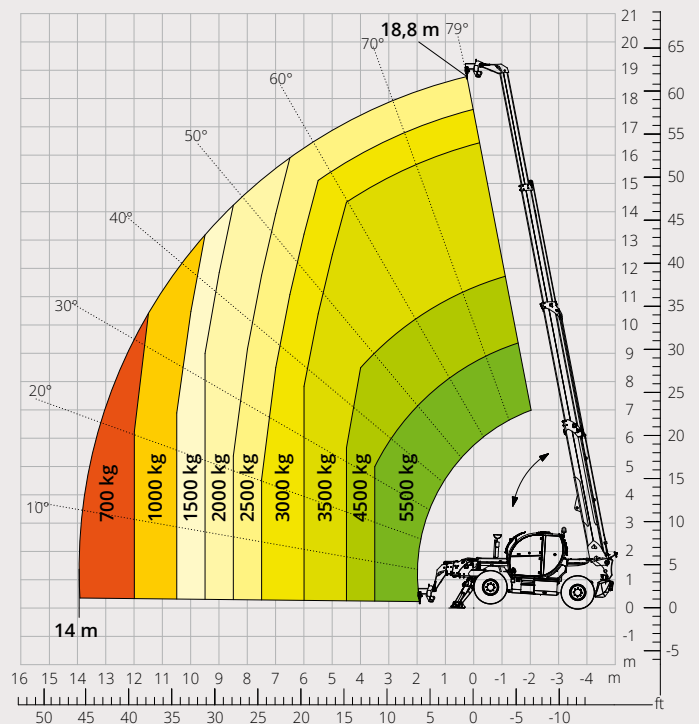
Load chart with
JIB WITH WINCH, 2,000 kg
 ATT-04-015



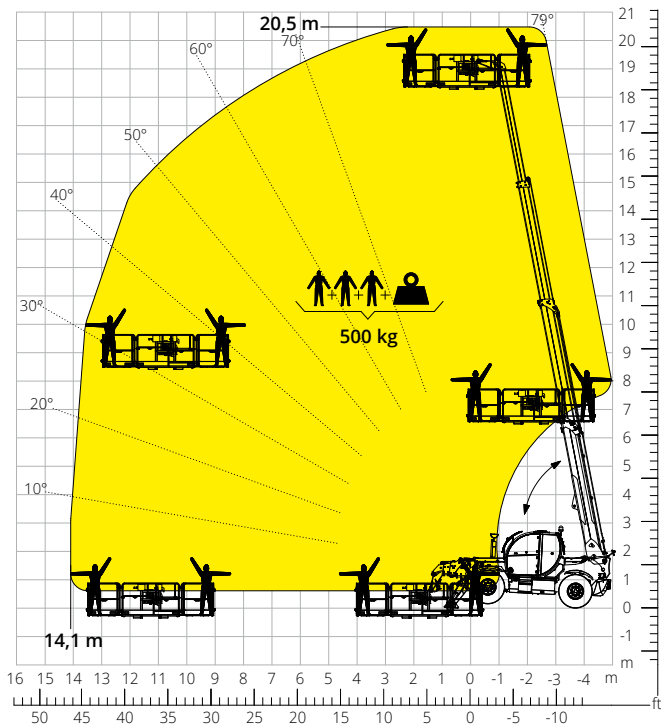
Load chart with
JIB, 2,000 kg
 ATT-04-013



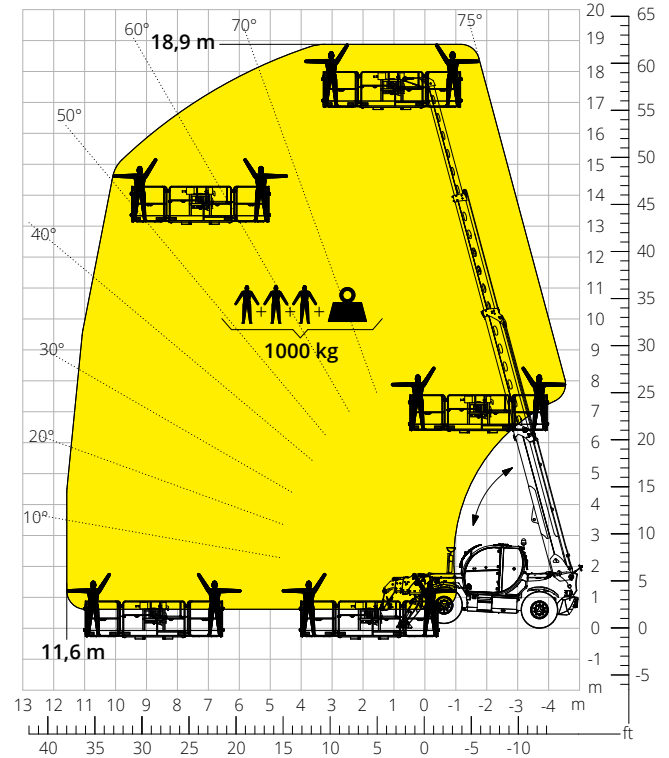
Load chart with
HOOK, 6,000 kg
 ATT-05-001



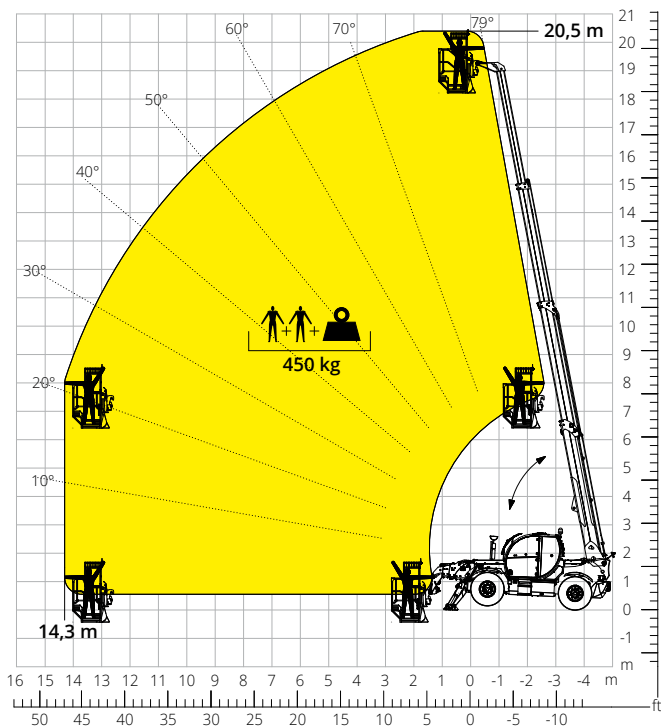
Load chart with
ROTATING EXTENDABLE PLATFORM,
500 kg
ATT-01-007



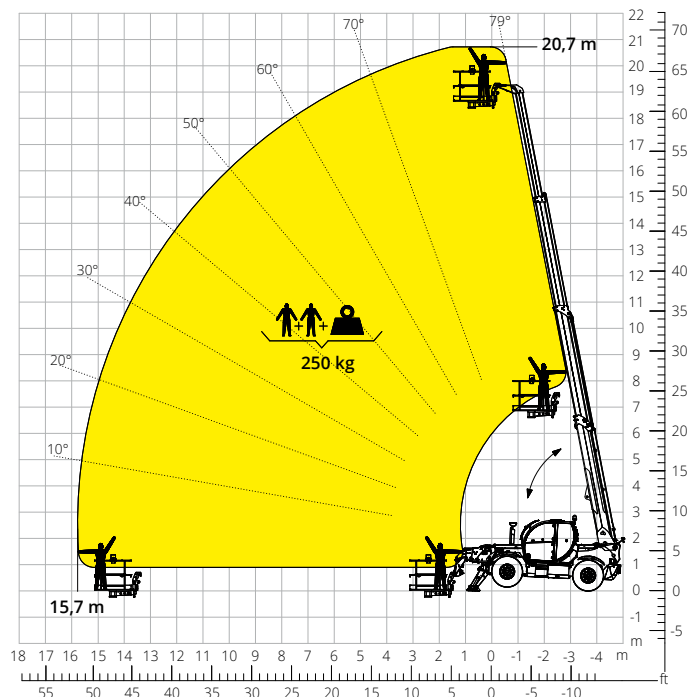
Load chart with
ROTATING EXTENDABLE PLATFORM,
1,000 kg
ATT-01-016



Load chart with
PLATFORM, 450 kg, FOR MINES
ATT-01-027



Load chart with
FIXED EXTENDABLE PLATFORM, 250 kg
ATT-01-003



Machine model	Telescopic handler	TH 5,5.19	
	Maximum lifting capacity	5,500 kg	
	Maximum lifting height	18.80 m	
	Maximum reach	14.20 m	
Stabilizer	Type	Pivoting	
Engine	Model	Deutz TCD 3,6 L4 EDG - Stage IIIA	Deutz TCD 3,6 L4 Stage V
	Rated power	55.4 kW (75.3 hp) at 2,200 rpm	
	Maximum torque	390 Nm at 1,300 rpm	405 Nm at 1,300 rpm
	Displacement	3,6 l	
	Cylinders	4 in line	
	Engine configuration	Turbocharged direct injection diesel	
	Cooling system	Water – intercooler	
Transmission	Type	Hydrostatic	
	Maximum pressure	480 bar	
	Gear box	Dropbox, 2 speeds forward-reverse	
Axles and brakes	Type	Axles with planetary gearboxes	
	Front axle	Oscillating and steering with levelling, +/-8°	
	Rear axle	Oscillating and steering with hydraulic lock	
	No. of driving/steering wheels	4WD - 4WS	
	Steering mode	Frontal/Concentric/Crab	
	Service brake	Wet multi-disk on front and rear axle	
	Parking brake	Hydraulic with negative action on front axle	
	Tyres dimensions	445/65 R22.5	
Performance	Max. travel speed	25 km/h	
	Gradeability (unladen)	55%	
	Turning radius (end of forks)	5,710 mm	
Weights	Total unladen*	13,500 kg	
	Front axle unladen (boom retracted and lowered)*	5,700 kg	
	Rear axle unladen (boom retracted and lowered)*	7,800 kg	
Tank and system capacities	Fuel tank	200 l	
	AdBlue	-	
	Hydraulic oil tank	93 l	
	Engine oil tank	9 l	
Hydraulic circuit for movements	Cooling liquid	20 l	
	Circuit type	Load sensing	
	Service pump	Variable displacement	
	Max. hydraulic flow rate	90 l/min	
	Max. boom head flow rate	75 l/min	
	Max. operating system pressure	350 bar	
	Controls for boom movements	SIL 2 electro-proportional valve	
Movements control	1 joystick with integrated manoeuvre enable		
Standard met	2006/42/EC: EU Machinery Directive		
	2016/1628: EU Regulation on the emissions of stage V engines		
	EN 1459-X: Relating to standards on the safety requirements for variable reach machines		
	EN 280/EN 280-1/EN 280-2: standards relating to mobile elevating work platforms (if available)		
ROPS/level 2 FOPS: relating to the standards for protective structures			

The data given in this brochure are provided for information purposes and are subject to change without prior notice.

All images are purely guideline and might not give an exact representation of the product.

**the stated weight refers to the vehicle unladen with standard equipment and may vary depending on the chosen configuration.*

The standard machine configuration includes:

CAB

- Comfort seat with adjustable headrest
- Adjustable steering column
- Analogue joypad
- Adjustable sunblind
- Heating
- Ambient LED lights
- USB Type-A and Type-C (5 V) inputs

REAL TIME INFORMATION

- Touchscreen, 7"
- MCTS – Magni Combi Touch System on-board software
- Automatic RFID tools recognition system
- LMI – Load Moment Indicator
- LLD – Live Load Diagram
- Onboard and remote integrated diagnostics

TECHNICAL SPECIFICATIONS

- Q-Fit standard
- Advanced three-line CAN BUS system
- Automatic front and rear wheel alignment
- Automatic parking brake
- Mechanical battery cut-off in engine compartment
- Electrical system: 24 V – IP67

SERVICE

- Warranty: 24 months/2,000 hours